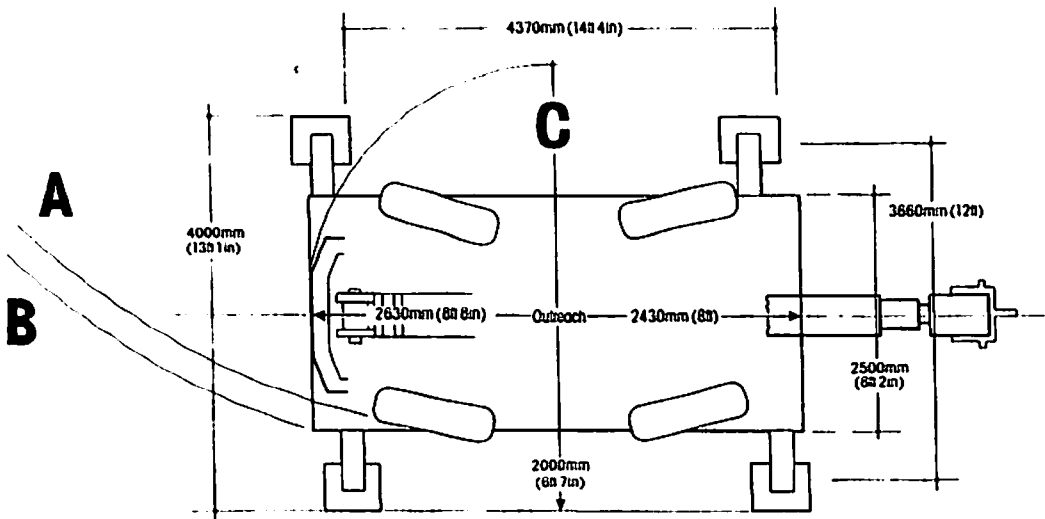
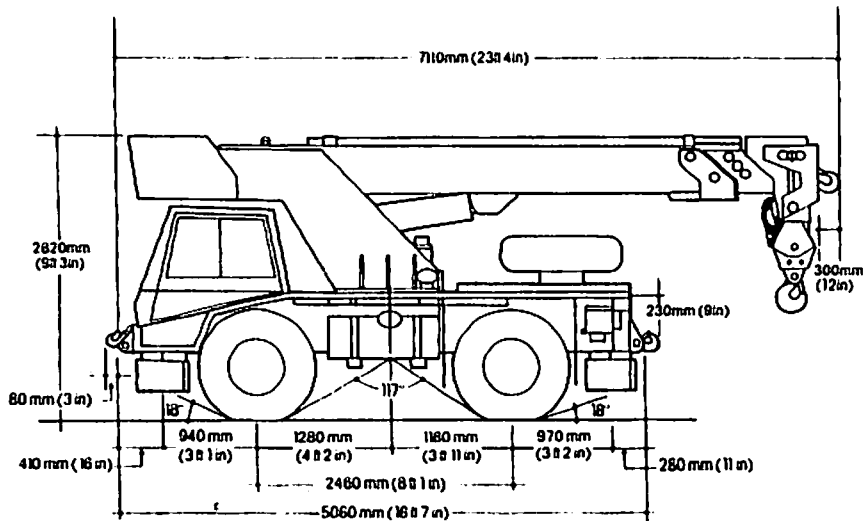


Dimensions/Dimensions
Abmessungen/Dimensiones

	4 x 2 (front axle/essieu avant/ Vorderachse/eje delantero)	4 x 2 (rear axle/essieu arrière/ Hinterachse/eje trasero)	4 x 4
A	5800mm (19ft)	5500mm (18ft 1in)	4000mm (13ft 1in)
B	6500mm (21ft 4in)	6300mm (20ft 8in)	4600mm (15ft 1in)
C	2470mm (8ft 1in)		



12
Tonne

City & Low
Headroom Cranes

Low Headroom

Grove AP415

Outriggers Full Extended 360° Slew

Radius (m)	11.5m Boom		
	5.50	9.00	12.50
2.50	12.00		
2.75	12.00	10.25	
3.00	12.00	9.75	
3.50	10.20	9.35	
4.00		8.75	
4.50		8.35	5.10
5.00		7.10	4.60
6.00		5.15	4.30
7.00		3.90	3.85
8.00			3.15
9.00			2.75
10.00			2.10
10.50			1.95

Radius (m)	12.5m Main Boom + 5M Swingaway	
	Offset	In
	0°	10°
7.00	2.45	
8.00	2.20	1.90
9.00	2.10	1.80
10.00	1.95	1.70
12.00	1.60	1.50
14.00	1.25	1.20
15.50	1.05	0.90

Free on Wheels

Radius (m)	Main Boom (m)			
	360° Slew		Over Front	
	9.00	12.50	9.00	12.50
2.50	8.00		8.45	
2.75	7.15		7.80	
3.00	6.55		7.25	
3.50	5.60		6.30	
4.00	4.65		5.65	
4.50	3.85	3.85	5.00	4.65
5.00	3.20	3.20	4.30	4.35
6.00	2.35	2.35	3.20	3.20
7.00	1.75	1.75	2.45	2.45
8.00		1.40		1.95
9.00		1.10		1.55
10.00		0.85		1.25
10.50		0.75		1.15

Radius (m)	12.5m Main Boom + 5m Swingaway			
	360° Slew		Over Front	
	Offset	Offset	Offset	Offset
	0°	10°	0°	10°
7.00	2.10		2.45	
8.00	1.65	1.70	2.20	1.80
9.00	1.35	1.40	1.80	1.65
10.00	1.10	1.15	1.50	1.50
12.00	0.75	0.75	1.05	1.15
14.00	0.50	0.50	0.75	0.85
15.50			0.60	0.65