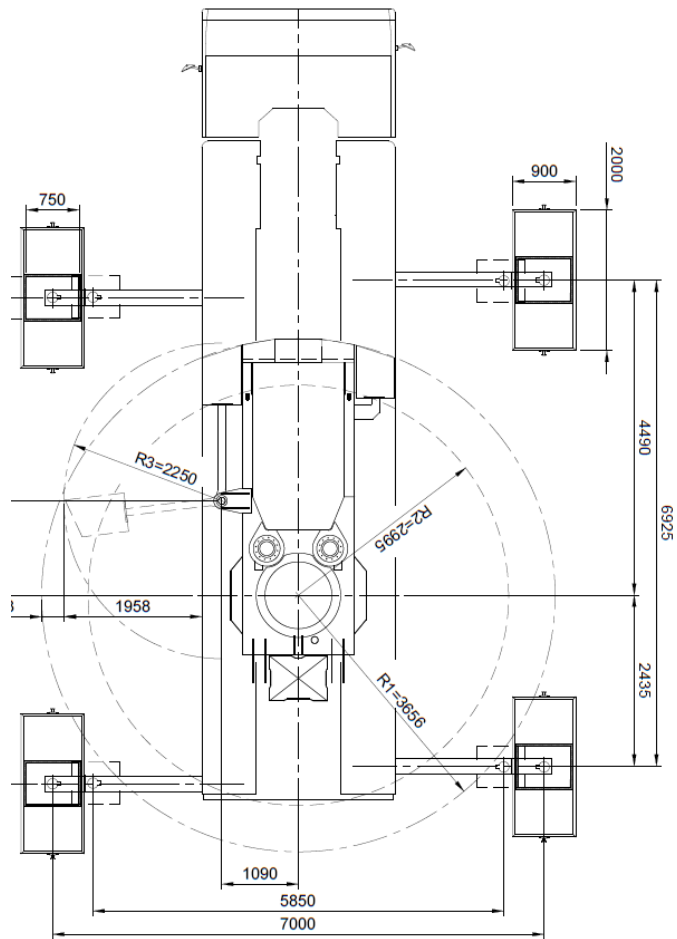
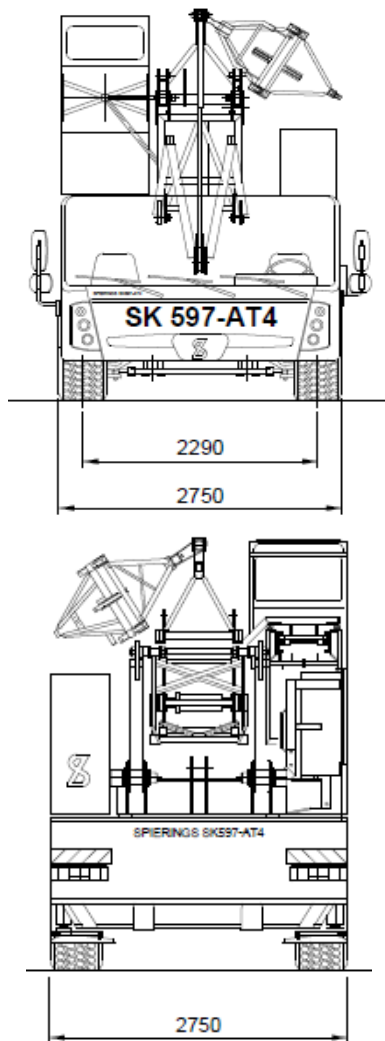
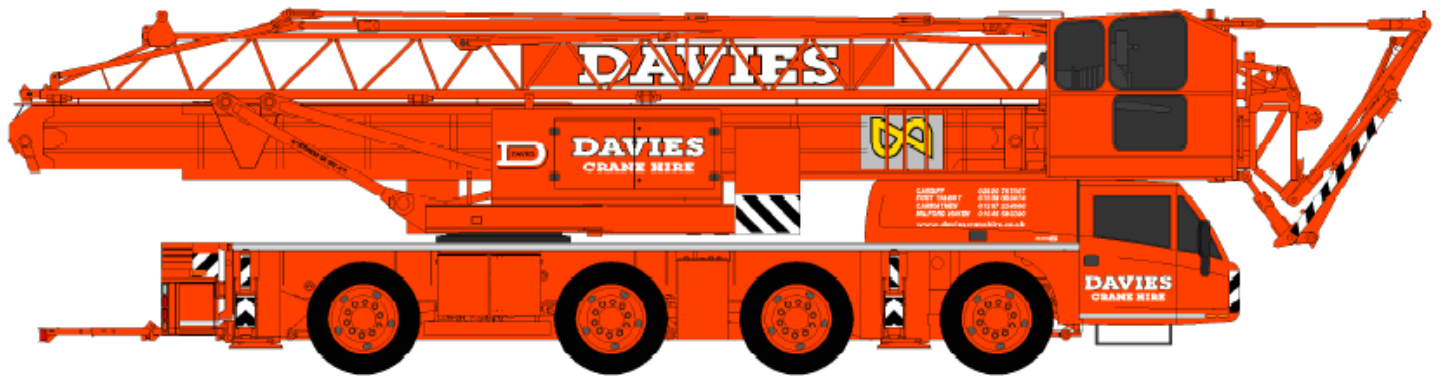


SPIERINGS SK597-AT4 | 48M MOBILE TOWER CRANE



The following is an example of the duty capabilities of the SPIERING SK597-AT4
 Please contact our office for further information

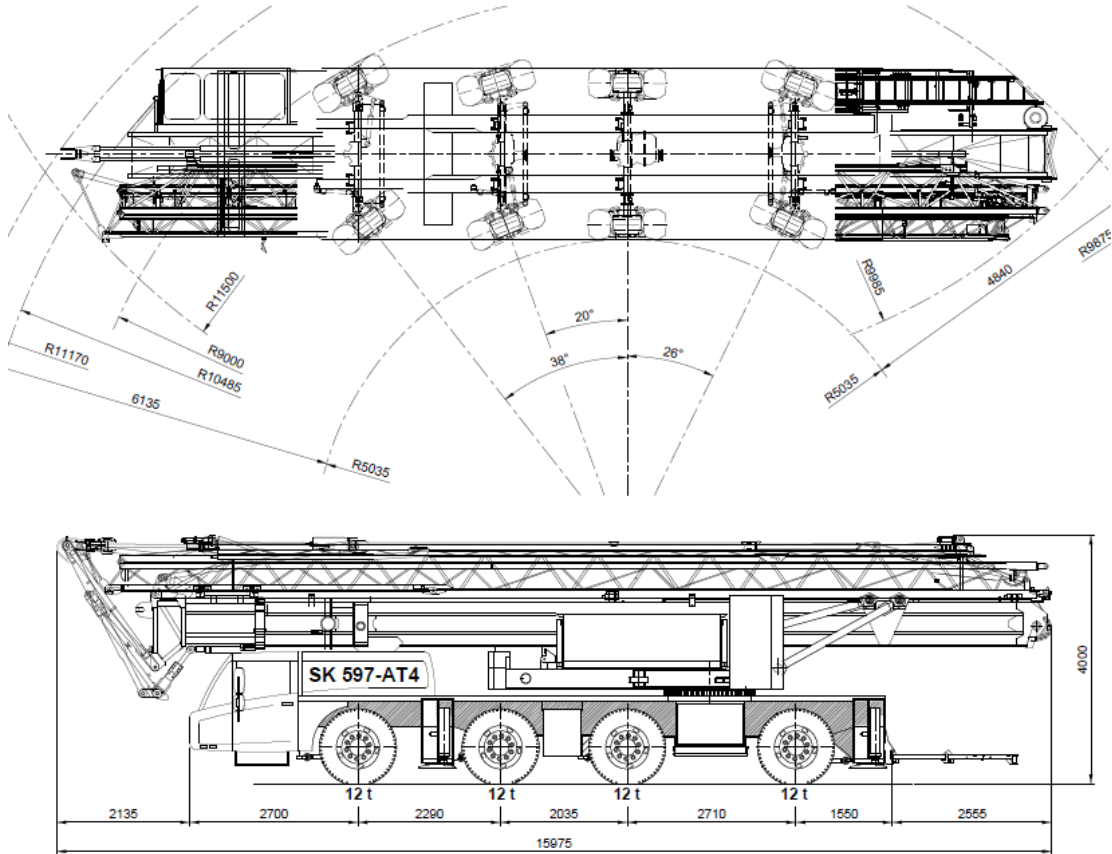
Carmarthen:
 01267 234660

Port Talbot:
 01639 883474

Cardiff:
 029 2079 7867

Milford Haven:
 01646 690390

SPIERINGS SK597-AT4 | 48M MOBILE TOWER CRANE



Lifting chart outrigger support base 6,925 m x 7,0 m

Jib horizontal		Height under the jib 26,9 / 29,7 m																			
		3,5	14,06	15	20	25	30	35	40	45	48		Radius (m)								
7000			6495	5615	4945	4410	3975	3615	3310	3050	2825	2630	2455	2305	2170	2045	1945	1835	1740	Load (kg)	
			7000	6025	5260	4660	4180	3785	3455	3175	2935	2725	2540	2380	2235	2105	1990	1900	1790	1700	
Jib 30° luffed		Hook height (m)																			
		30,9	33	35,9	38,8	41,7	44,6	47,5	48,6											Hook height (m)	
		3,5	12,4	15	20	25	30	35	40	42											Radius (m)
7000			6615	5590	4830	4250	3785	3410	3095	2835	2610	2415	2245	2095	1965	1845	1740			Load (kg)	
			7000	6060	5185	4525	4005	3585	3245	2960	2715	2505	2325	2165	2025	1900	1790	1700			

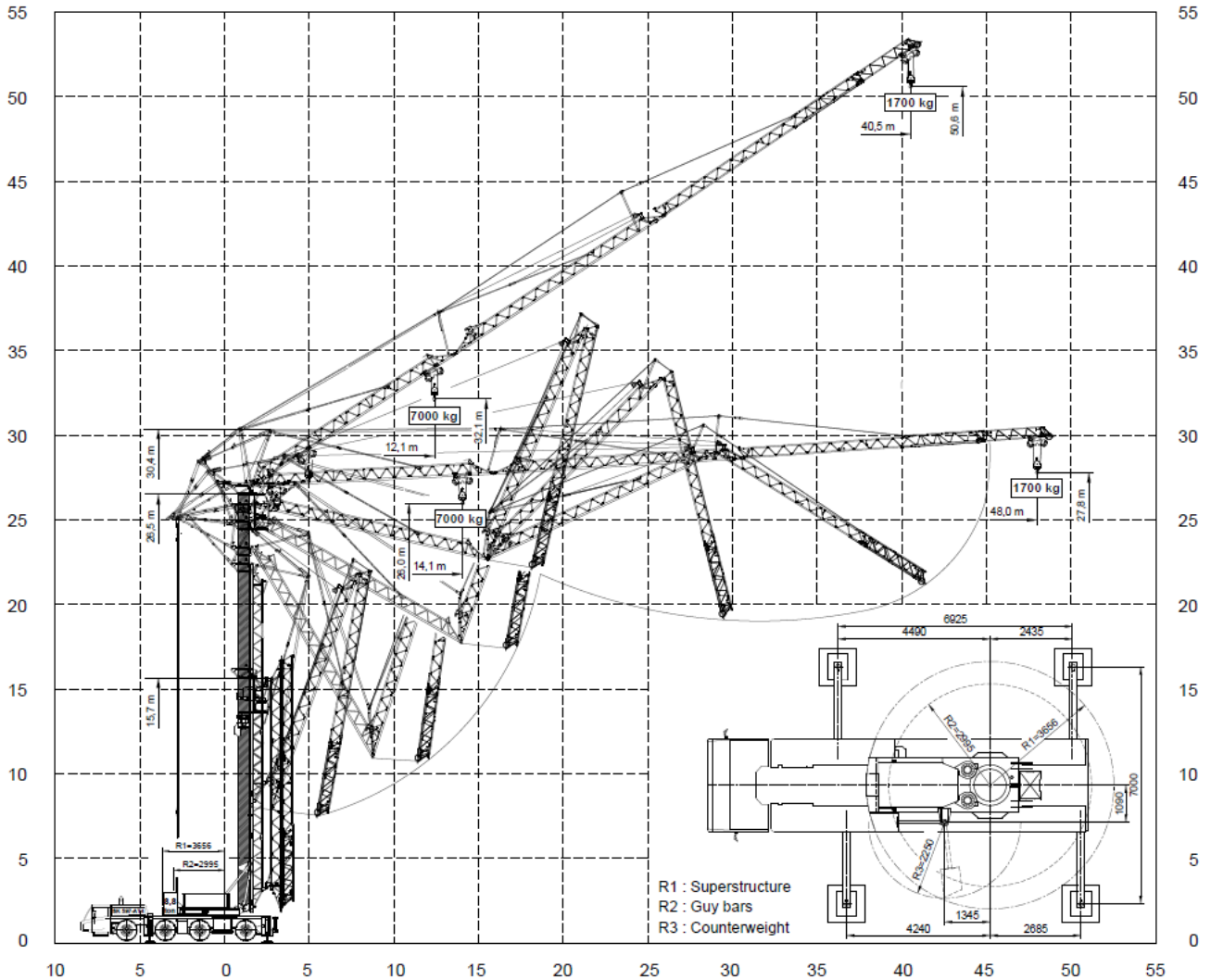
Lifting chart outrigger support base 6,925 m x 5,85 m

Jib horizontal		Height under the jib 26,9 / 29,7 m																					
		3,5	10,86	15	20	25	30	35	40	45	48		Radius (m)										
7000			7000	5640	4760	4110	3610	3210	2890	2620	2395	2200	2035	1890	1765	1650	1550	1455	1375	1300	1230	Load (kg)	
			6895	6205	5185	4415	3845	3400	3040	2750	2505	2295	2115	1960	1825	1705	1595	1500	1415	1340	1265	1200	
Jib 30° luffed		Hook height (m)																					
		29,9	30,1	33	35,9	38,8	41,7	44,6	47,5	48,6											Hook height (m)		
		3,5	9,62	10	15	20	25	30	35	40	42											Radius (m)	
7000			7000	5935	4850	4090	3525	3095	2750	2470	2235	2040	1875	1730	1605	1495	1395	1310	1230			Load (kg)	
			6675	5340	4440	3790	3295	2910	2600	2350	2135	1955	1800	1665	1545	1445	1350	1265	1200				

The following is an example of the duty capabilities working of the SPIERING SK597-AT4

Please contact our office for further information

SPIERINGS SK597-AT4 | 48M MOBILE TOWER CRANE



The following is an example of the duty capabilities working of the SPIERING SK597-AT4

Please contact our office for further information